



DNSW Club Forum 2017

EA National & FEI Stewards
Program

Current Structure

- Club Volunteer (Gear Check/Marshall)
- Candidate National Steward
- National Accredited Steward
- FEI Level 1 Steward
- FEI Level 2 Steward
- FEI Level 3 Steward
- Steward General Australia
- Medication Control Stewards

National Steward Accreditation

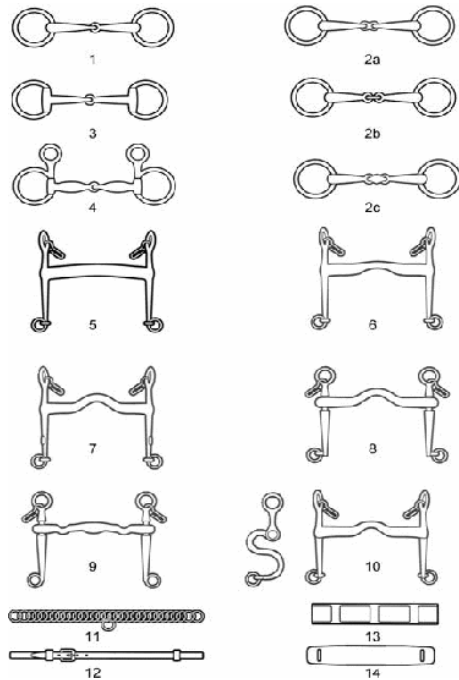
- Be 18 yo
- Be a current member of EA
- Attend an accredited EA Stewards course
- Pass an Open online rule book test
- Complete 3 x Assistant Stewarding experiences
- **OR**
- Be mentored by an accredited FEI Steward who will take you through the process and recommend you as an Approved National Steward – competency based – work book to be completed and signed off

Stewards what is their role

- Help, Prevent, Intervene
- An Official who supervises or helps to manage an event
- Communication, Risk Reducing & Assessment
- Welfare of the horse is Paramount
- Protect the public image, social media, bio-security

Australian Dressage Committee

- Equipment Committee
- Make decisions on permitted gear



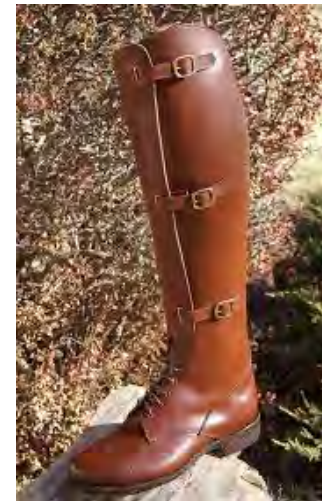
Clothing

Logos

Spurs

Bits

other





Risk Management



Safety of
helpers





Warm up



Hazards

Arena surface is it suitable



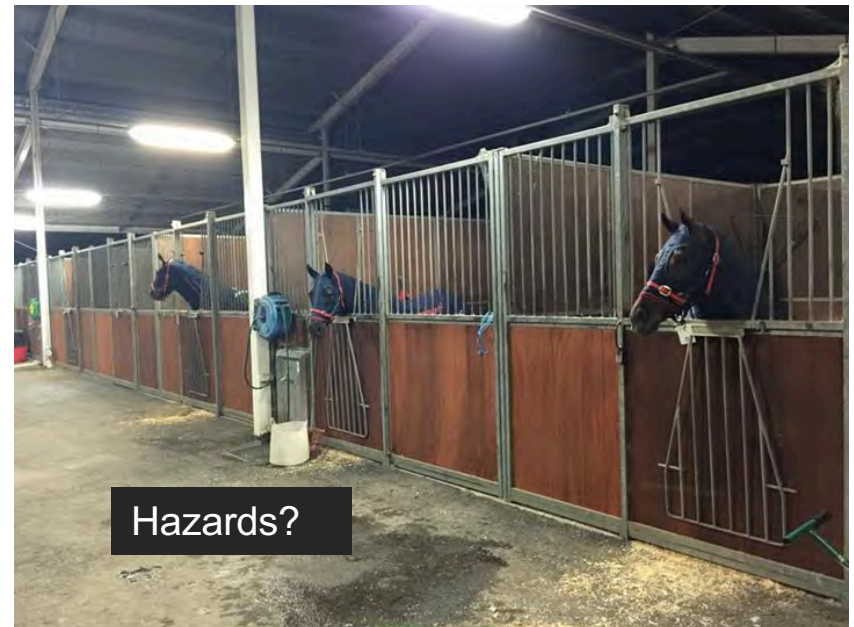
Check tick & flick!



Mounted Presentations



Know arena rules



Current education

- 48 persons attended 3 courses held in NSW 2016
- 20 persons have been accredited as National EA Dressage Stewards in the last 12 months
- 2017 – one EA Dressage Stewards course to be conducted at Clarendon event June
- 2017 – dependent on ENSW/DNSW funding a further 2 x courses to be held in regional NSW post July
- New Rules – e.g. Yellow card